

■ Description

A product designed specifically for use in the Binding, Printing, and Paper industries. The 30 degree Twist conveyor provides a means to move the product to the work center while changing the product's orientation by 30 degrees. This change in orientation squares the product for the downstream trimming operation. Also, allows product to queue before operation.

■ Construction

Two separate conveyor beds using stainless steel siderails are held in place by a welded stainless steel tube framework. Conveying surfaces measure 180MM (7.08") and 310MM (12.20") wide respectively. Elevation is adjustable up to 2" in either direction. Conveying surface consists of Shuttleworth's standard roller components.

■ Features

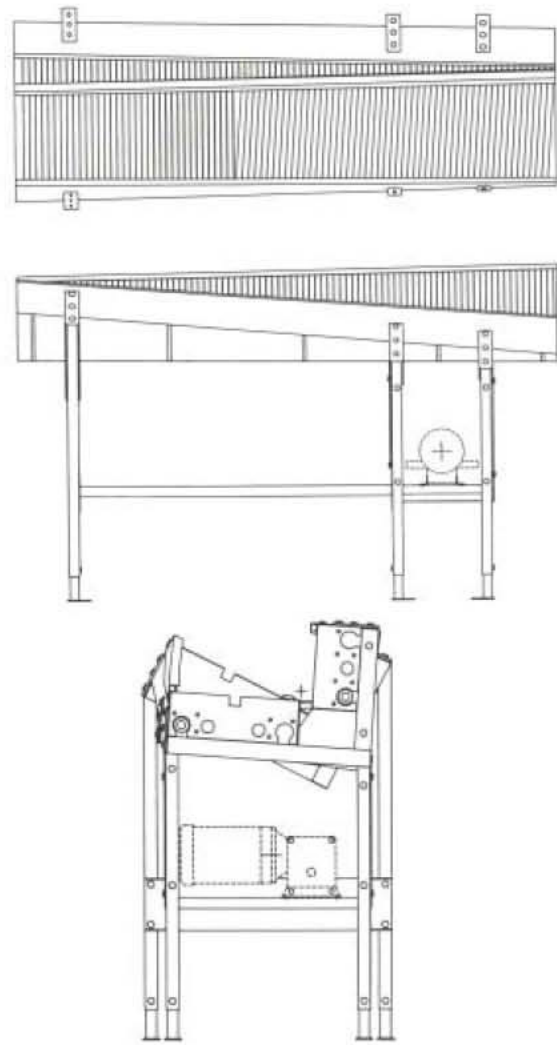
- low line pressure accumulation.
- 30 degree change in product orientation.
- Rugged, durable structure.
- Safe, quiet, compact.



30° TWIST CONVEYOR

Operation

The Shuttleworth Slip-Torque principle uses a powered line shaft to drive flexible belts. These belts then power roller shafts covered with slip fit rollers. The driving force is controlled by the coefficient of friction between rollers and roller shafts, relative to your product's weight. The result is the conveying industry's lowest dynamic line pressure.



 **Contact Shuttleworth.**



World Headquarters
10 Commercial Rd. Huntington, IN 46750 USA
TEL 800.444.7412 / 260.356.8500 FAX 260.359.7810
inc@shuttleworth.com

Shuttleworth Europe N.V.
Xavier de Cocklaan 86-88
B-9831 Sint Martens Latem
(Deurie), Belgium
TEL +32.9.221 13 14
FAX +32.9.220 28 98
sew@shuttleworth.com

Shuttleworth Southeast Asia
Kuala Lumpur, Malaysia
TEL 603.62767393
sea@shuttleworth.com

 **SPECIFICATIONS**

MODEL	Standard	Custom
Part No.	400-19148-0000	To Be Determined
Elevation	41 ± 2"	33 Inches Minimum
Speeds	80 FPM	Fixed Speed Drive or Variable Speed Drive Available
Length	2 Meters (78 inches)	Option for Extensions
Twist Direction	Right Hand	Right Hand or Left Hand Available

